

Contents

- Figure 1 Ohmega Relay Connections
- Figure 2 Overall dimensions and
panel drilling for Epsilon
E16 Case

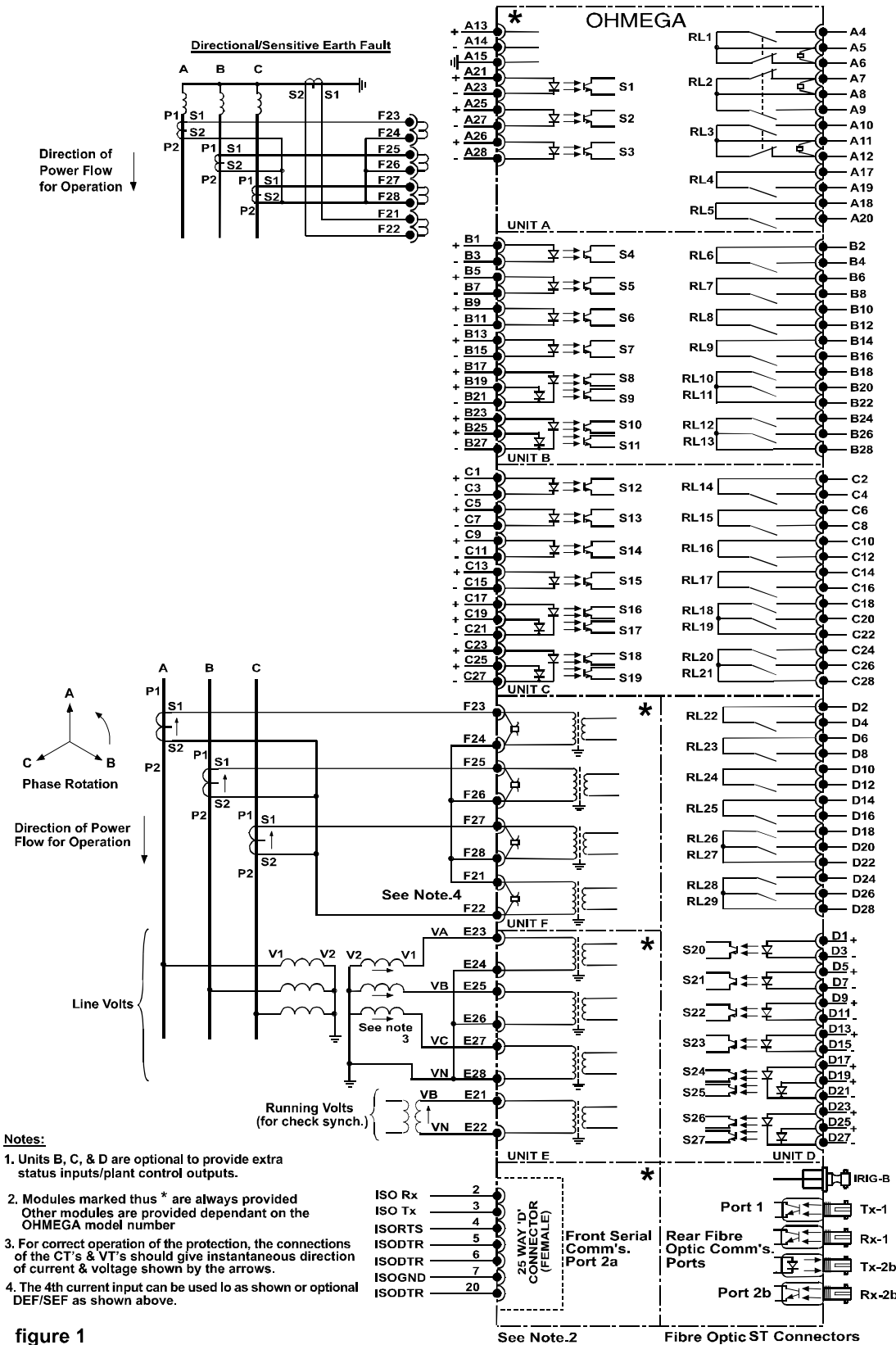
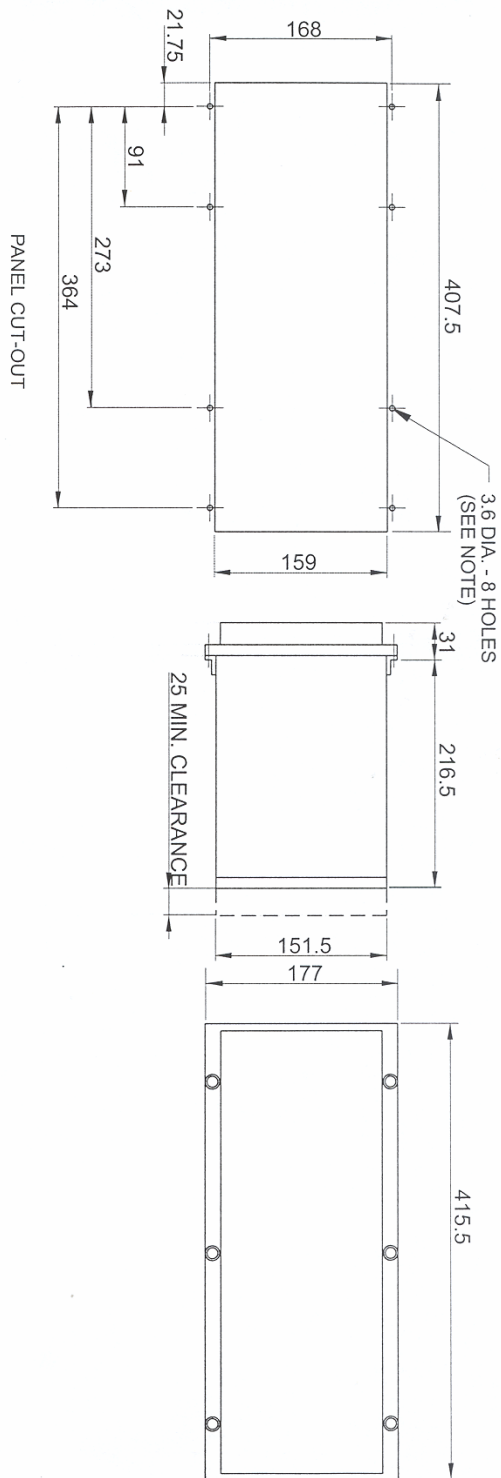


figure 1
OHMEGA RELAY CONNECTIONS



NOTE:
 THE 3.6 DIA. HOLES ARE FOR M4 THREAD FORMING (TRILLOBULAR) SCREWS. THESE ARE SUPPLIED AS STANDARD AND ARE SUITABLE FOR USE IN FERROUS/ALUMINIUM PANELS 1.6mm THICK AND ABOVE. FOR OTHER PANELS, HOLES TO BE M4 CLEARANCE (TYPICALLY 4.5 DIA.) AND RELAYS MOUNTED M4 MACHINE SCREWS, NUTS AND LOCKWASHERS (SUPPLIED IN PANEL FIXING KIT).

figure 2
 OVERALL DIMENSIONS AND PANEL DRILLING FOR EPSILON E16 CASE

24/8/99